



FEATURES


- Low self-discharge and long shelf life
- Non-Spillable construction
- Safety valve installation for explosion proof
- Exceptional deep discharge recovery performance
- 99.7% pure lead calcium grids and A recognized Component of U.L



APPLICATION

- 4WD Dual Battery System
- Caravan, Motorhome Systems
- Solar Systems
- Emergency Power Systems

SPECIFICATIONS

Nominal Voltage	12V
Nominal Capacity	170Ah@20 hour rate F.V.(1.80V/cell)
Approx. Weight	45.00Kg (99.45lbs.)
Terminals	I3 (M8 Female Thread)
Internal Resistance	≤ Ω 2.8m (Fully Charged)
Max. Discharge Current	1500A (5 sec)
Charge Current	34A (0.2C) - Max 37A
Operating Temperature Range	Charge: -10°C~40°C (14°F~104°F) Discharge: -20°C~50°C (-4°F~122°F) Storage: -15°C~40°C (5°F~104°F)
Self Discharge	3% of capacity declined per month at (25 °C)

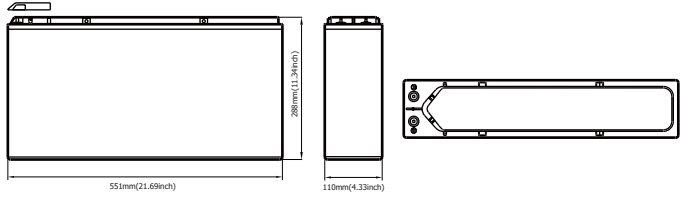


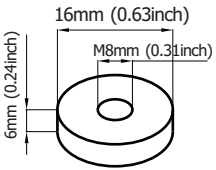
- IEC 60896.2
- JIS C 8704.2
- GB/T 19638.2

DIMENSION(mm/inch)	OUTER DIMENSIONS	TERMINAL TYPE
--------------------	------------------	---------------

- **Length**
551±2.0mm (21.69±0.08inch)
- **Width**
110±2.0mm (4.33±0.08inch)
- **Container Height**
288±2.0mm (11.34±0.08inch)
- **Total Height**
288±2.0mm (11.34±0.08inch)



Terminal

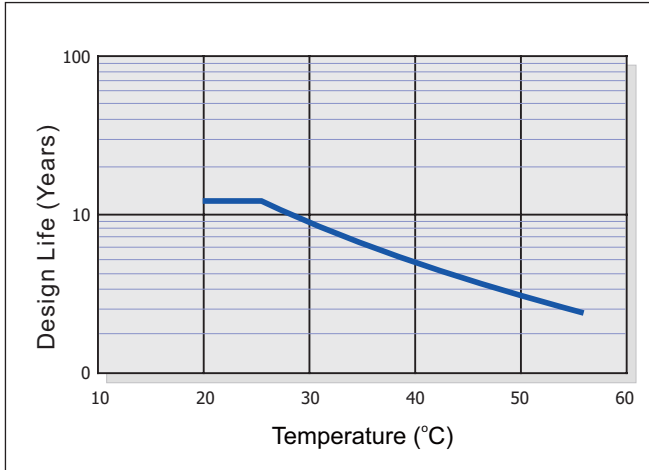


[M8 BOLT]
Terminal Hardware Initial Torque:13(5.5Nm ± 5%)

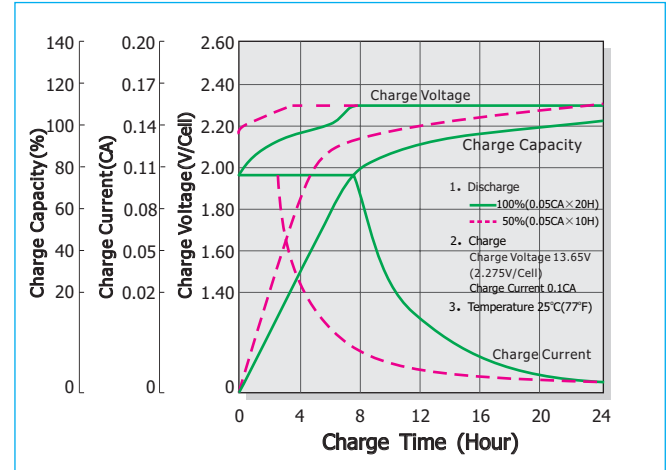
Constant power discharge characteristics at 25°C/77°F										Unit:W	
F. V/Time	10MIN	15MIN	30MIN	1HR	3HR	5HR	10HR	20HR	Charge Voltage		
1.60V	639	512	377	248	121	57.4	29.3	14.5	Cycle use	14.4-14.7V (±4mV)	
1.65V	608	484	336	220	111	57.2	29.3	14.5			
1.70V	576	468	326	216	84.8	56.9	29.3	14.4	Max. Current	40.0A	
1.75V	561	457	321	214	84.2	56.7	29.2	14.4			
1.80V	547	452	318	210	83.8	56.5	29.2	14.4			

Constant current discharge characteristics at 25°C/77°F										Unit:A	
F. V/Time	10MIN	15MIN	30MIN	1HR	3HR	5HR	10HR	20HR	Float Use		
1.60V	375	276	161	104	42.6	29.0	16.2	8.21	Float Use	13.5-13.8V (±3mV)	
1.65V	349	266	155	103	42.3	28.8	16.1	8.20			
1.70V	331	258	149	103	42.1	28.6	16.1	8.18			
1.75V	302	245	144	102	39.8	28.4	16.0	8.15			
1.80V	285	232	139	102	39.6	28.2	15.9	8.11			

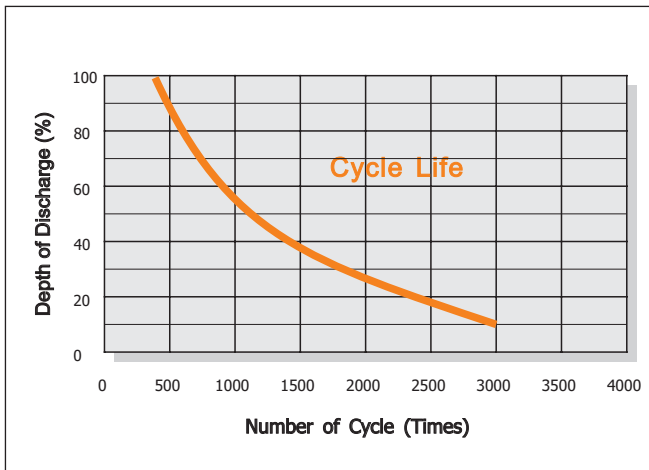
Trickle(or Float) Service Life



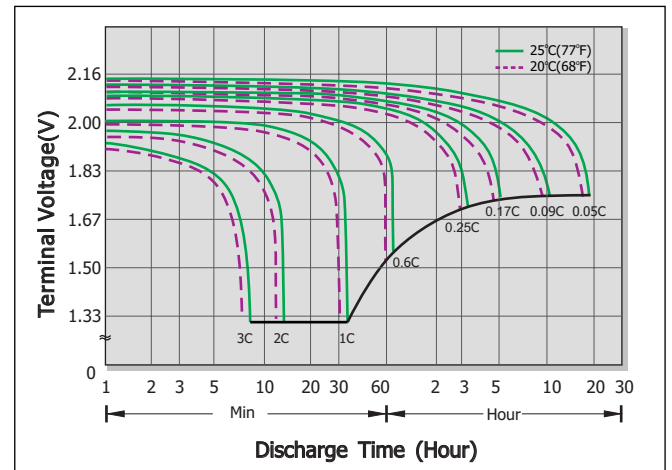
Charge Characteristic



Depth of Discharge vs. Cycles



Discharge Characteristic



Capacity Factors With Different Temperature

Battery Type		-20°C	-10°C	0°C	5°C	10°C	20°C	25°C	30°C	40°C	45°C
GEL Battery	6V&12V	55%	75%	85%	88%	90%	98%	100%	102%	104%	105%
	2V	65%	80%	88%	90%	92%	99%	100%	103%	105%	106%
AGM Battery	6V&12V	46%	66%	76%	83%	90%	98%	100%	103%	107%	109%
	2V	55%	70%	80%	85%	92%	99%	100%	104%	108%	110%